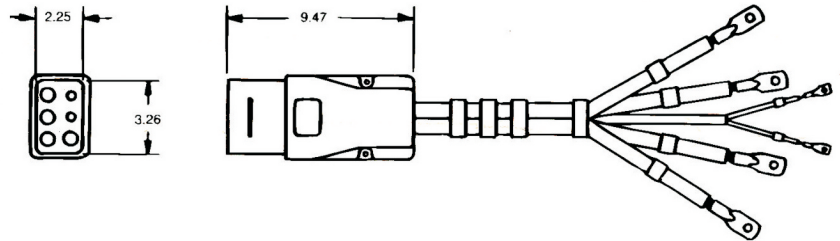


ATTACHABLE & MOLDED ASSEMBLIES FOR A.C. APPLICATIONS

Cable assemblies are fabricated to the exacting requirements of Mil-C-7974C. U.S. Airmotive GSE is a qualified source of supply for MS25019, MS90328, MS90347, AN3430 & AN2551 AC & DC cable assemblies.

In addition, U.S. Airmotive GSE can supply special cable configurations or lengths to meet your requirements.

Contact U.S. Airmotive GSE for additional information.



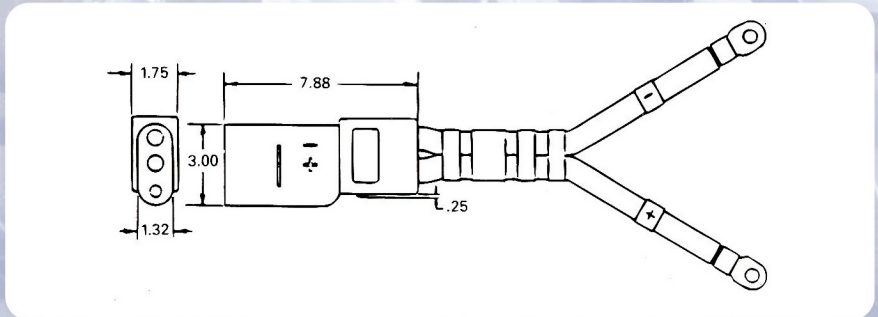
Catalog No.	Length Ft.	Description	Connector
R67G4E-30A	30	4-1/0 AWG Single Conductors No Control Lead, E and F Shunted in Plug, Silverplated Contacts	Attachable
R67G4C-30M	30		Molded
R67G5E-30A	30	4-1/0 AWG Single Conductors 1-12/2 Control Lead, Silverplated Contacts	Attachable
R67G5C-30M	30		Molded
R67G36E-30A	30	4-2/0 AWG Single Conductors 1-12/2 Control Lead, Silverplated Contacts	Attachable
R67G36C-30M	30		Molded

ATTACHABLE & MOLDED ASSEMBLIES FOR D.C. APPLICATIONS

All U.S. Airmotive GSE cable assemblies feature silverplated copper alloy contacts and military qualified cable. Connectors include a nylon insulating sleeve around the power contacts. This reduces the danger of exposed contacts if the head becomes worn.

U.S. Airmotive GSE offers a complete line of cable assemblies for ground power applications. In addition to ATTACHABLE® aircraft connectors.

Cable assemblies are available with either attachable or integrally molded connectors.



Catalog No.	Length Ft.	Description	Connector
R65G1E-20A	20	2-1/0 AWG Single Conductors No Control Lead, Silverplated Contacts	Attachable
R65G1E-30A	30		
R65G1C-20M	20		Molded
R65G1C-30M	30		
R65G2E-20A	20	2-2/0 AWG Single Conductors No Control Lead, Silverplated Contacts	Attachable
R65G2E-30A	30		
R65G2C-20M	20		Molded
R65G2C-30M	30		
R65G3E-20A	20	2-4/0 AWG Single Conductors No Control Lead, Silverplated Contacts	Attachable
R65G3E-30A	30		
R65G3C-20M	20		Molded
R65G3C-30M	30		